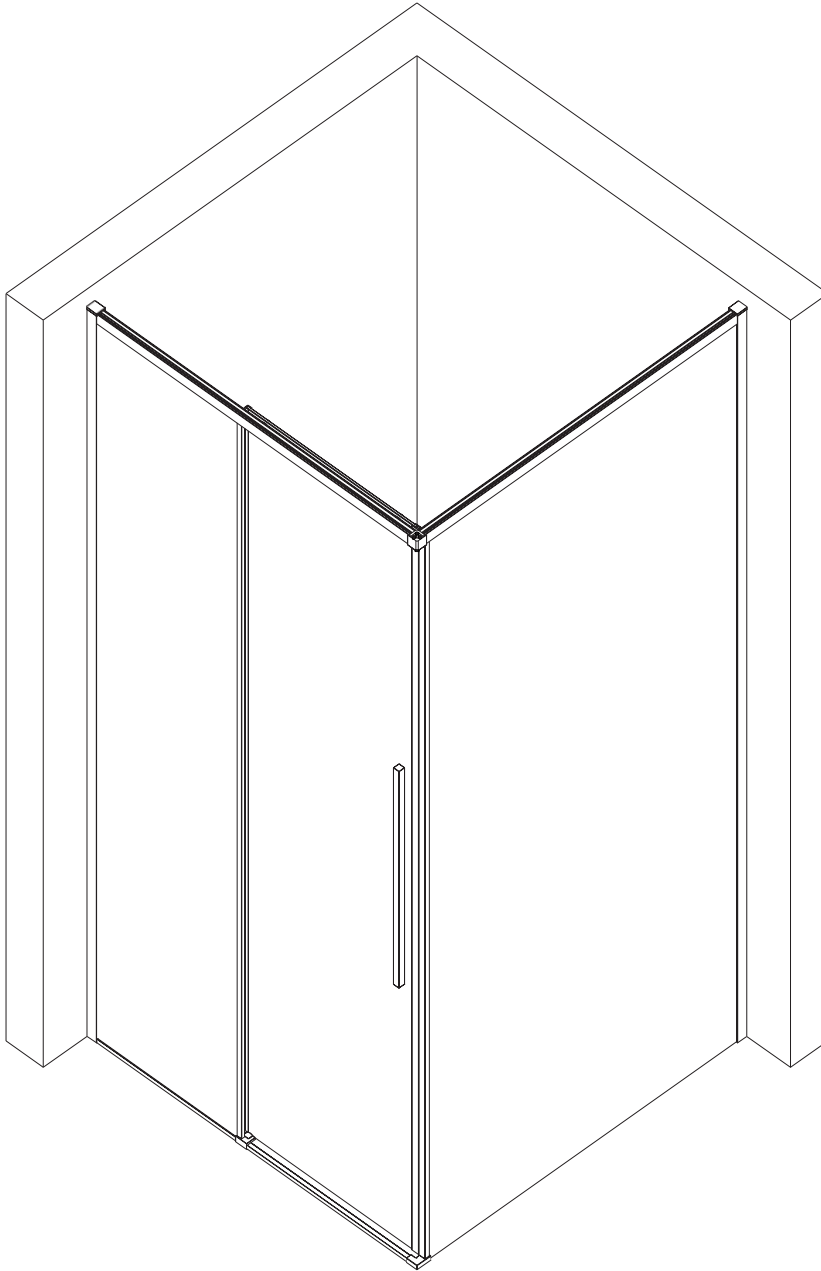
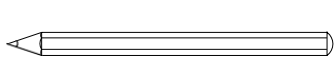


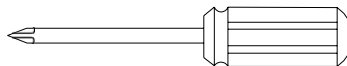
INSTRUCȚIUNI DE INSTALARE



**CABINĂ
SOLAR**



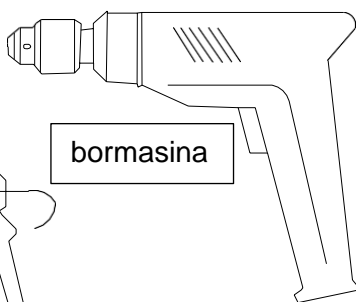
Creion



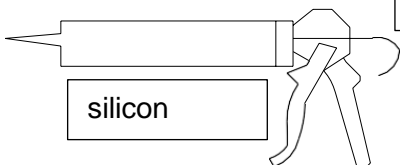
surubeltita



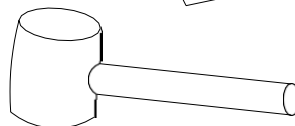
6 mm



bormasina



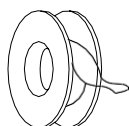
silicon



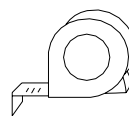
Ciocan de cauciuc

taşma PTFE

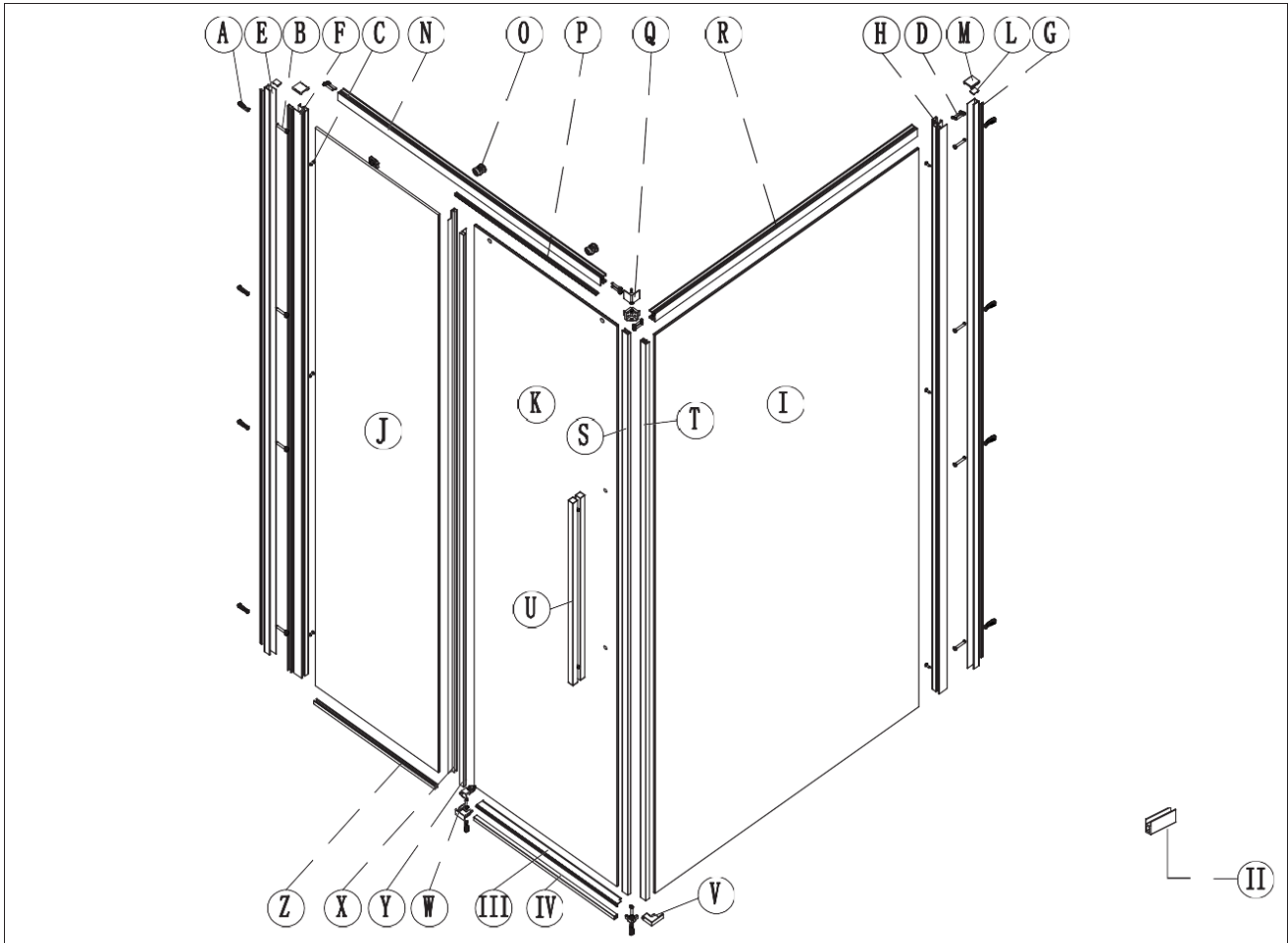
miarka






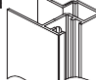

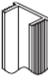








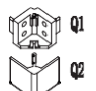







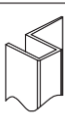
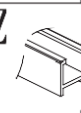













Banda



ruleta



A  X10	B  ST4. 2x32 X8	C  ST3. 5x9. 5 X6	D  ST3. 9x32 X8	E  X2	F  X2	G  X2	H  X2
I  X1	J  X1	K  X1	L  X2	M  X2	N  X1	O  X2	P  X1
Q  q1 q2 X1	R  X1	S  X1	T  X1	U  X1	V  v1 v2 X1	W  v1 v2 X1	X  X1
Y  X1	Z  X1	II  X2	III  X1	IV  X1			
					 Ø6		 Ø2.5
